

博穆电子有限公司

BOMU ELECTRONICS CO., LTD

VH 条形连接器 (3.96mm)

技术参数 TECHNICAL PARAMETER

间距(PITCH):3.96mm

极数(Poles):2--16

适用基板厚度(Applicable PC board thickness):1.6mm

额定电流(Current rating):5A,AC,DC

额定电压(Voltage rating):250V,AC,DC

工作温度(Working Temperature):-25°C~+85°C

耐压值(Withstand voltage):1500V,AC/min

接触电阻(Contact resistance): $\leq 0.01 \Omega$

绝缘电阻(Insulation resistance): $\geq 1000M \Omega$

极数 Poles	编号 Part Number		尺寸 Dimension(mm)	
			A	B
2	VH-2Y	VH-2A(W/T)	3.96	7.92
3	VH-3Y	VH-3A(W/T)	7.92	11.88
4	VH-4Y	VH-4A(W/T)	11.88	15.84
5	VH-5Y	VH-5A(W/T)	15.84	19.80
6	VH-6Y	VH-6A(W/T)	19.80	23.76
7	VH-7Y	VH-7A(W/T)	23.76	27.72
8	VH-8Y	VH-8A(W/T)	27.72	31.68
9	VH-9Y	VH-9A(W/T)	31.68	35.64
10	VH-10Y	VH-10A(W/T)	35.64	39.60
11	VH-11Y	VH-11A(W/T)	39.60	43.56
12	VH-12Y	VH-12A(W/T)	43.56	47.52
13	VH-13Y	VH-13A(W/T)	47.52	51.48
14	VH-14Y	VH-14A(W/T)	51.48	55.44
15	VH-15Y	VH-15A(W/T)	55.44	59.40
16	VH-16Y	VH-16A(W/T)	59.40	63.36

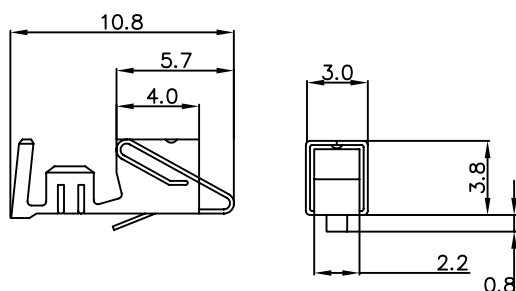
材料 MATERIAL

基座(HOUSING): 尼龙66UL94V-0(NYLON66 UL94V-0)

插针(PIN): 黄铜(BRASS)表面镀纯锡(PURE TIN-PLATED)

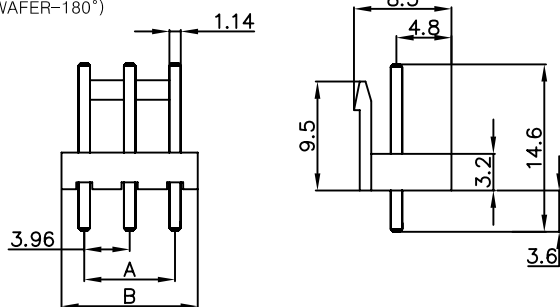
端子 (TERMINAL)

VH-nT



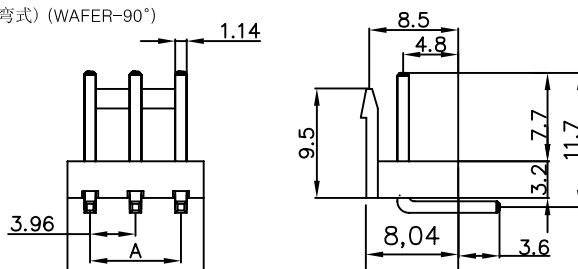
阳连接器(直式) (WAFER-180°)

VH-nA



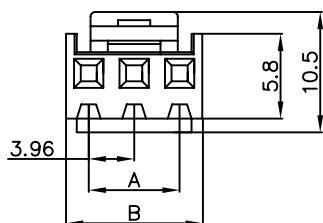
阳连接器(弯式) (WAFER-90°)

VH-nAW



阴连接器 (HOUSING)

VH-nY



阳连接器(长弯式) (LONG WAFER-90°)

VH-nAWT

