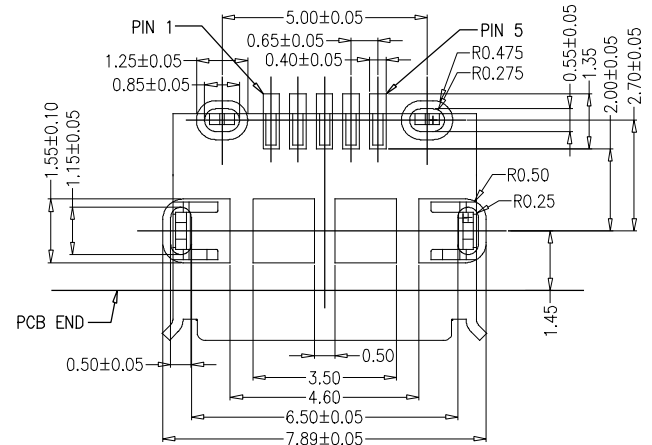
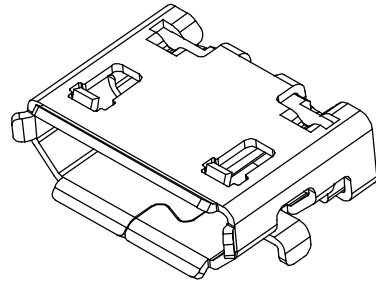
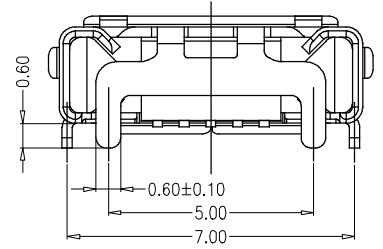
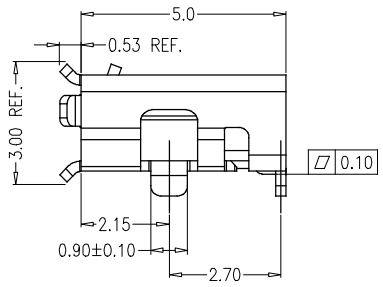
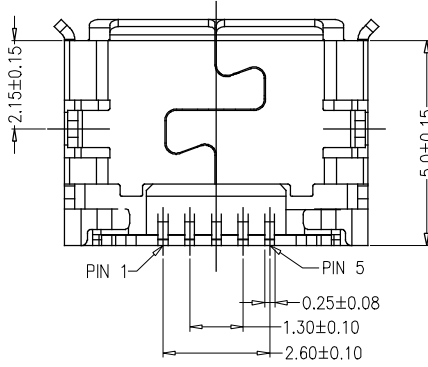
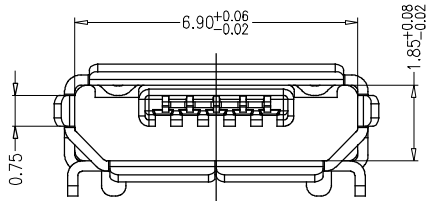
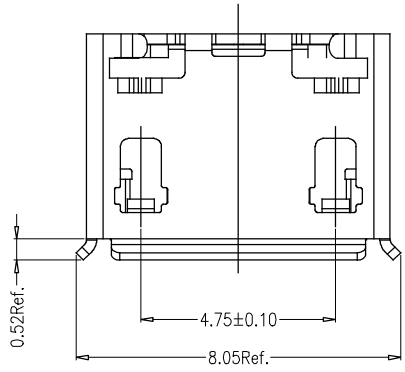




PART NUMBER  
10118194-0001LF



- NOTE-
- Product meets USB 2.0 requirement.
  - Coplanarity:  
Solder tails: 0.08mm maximum.  
Metal tabs: 0.10mm maximum.
  - The "LF" is meant lead free and can withstand expose to 260° C peak temperature for 10 seconds in IR reflow process.

Item	Title	Material	Finish
1	Shell	Stainless Steel	Matte Tin 80u"
2	Terminal	Copper Alloy	Mating Area: 30u" Gold Solder Tails: G/F
3	InsertMolding	Thermoplastic	UL94V-0, Black

mat'l. code				tolerances unless otherwise specified		CUSTOMER COPY		FCI www.fciconnect.com	
ltr	ecn no	dr	date	linear	.X ± 0.38		projection	title MICRO USB B TYPE RECEPTACLE	
A		J.H	5/12/11		.XX ± 0.25				
					.XXX ± 0.10				
				angles	0° ±2°		MM	product family USB	
				dr	JASON HSU	5/12/11		code TWN	
				enrg	JASON HSU	5/12/11		size dwg no	
				chr	GARY HSIEH	5/12/11		sheet 1 of 1	
				appd	JOSEPH HSIA	5/12/11		scale 5:1	
sheet index	revision sheet	A	1			A4		10118194	

cage code

# Mouser Electronics

Authorized Distributor

Click to View Pricing, Inventory, Delivery & Lifecycle Information:

[FCI / Amphenol:](#)

[10118194-0001LF](#)