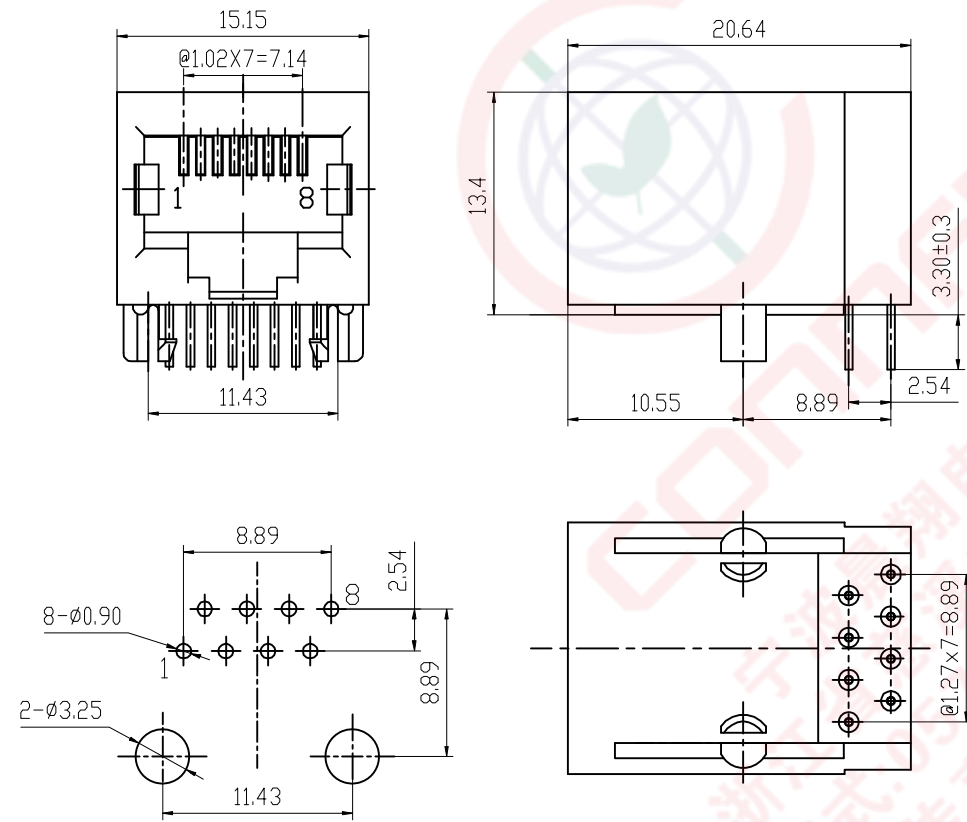


REV.	DESCRIPTION	DRAWN	CHECKED	APPROVED
A	NEW RELEASE	JLZ 06/08/16'	~	

NOTES:

- ELECTRICAL CHARACTERISTICS:
 - CONTACT RESISTANCE: 20mΩ Max.
 - DIELECTRIC WITHSTANDING VOLTAGE: 500V AC(rms) FOR 1 MINUTE.
 - INSULATION RESISTANCE: 1000MΩ Min.
 - VOLTAGE RATING: 125V.
 - CURRENT RATING: 1.5A.
- ENVIRONMENT CHARACTERISTICS:
 - TEMPERATURE: -40°C~+85°C.
- MATERIALS
 - CONTACT MATERIAL: COPPER ALLOY.
 - CONTACT PLATING: GOLD.
 - INSULATOR MATERIALS: PBT OR NYLON BLACK.
- PRODUCT NUMBER CODE:
DS1128-05-X X X X X

- Housing Materials
P:PBT
- Contact Plating
8:Gold Flash
- Housing Color
B:Black
- No.Of Contacts
8:8p8c
- Connector Type
S:Socket



PCB LAYOUT
THICKNESS=1.6mm

GENERAL TOLERANCE		ANGLE TOLERANCE		PROJECTION		TITLE	PCB Jack 8 Positions W/O Shell	
X.	±0.60	X.	±5°	UNITS	mm			
.X	±0.38	.X	±3°	SHEET SIZE	A4	SERIES	DS1128-05 SERIES	
.XX	±0.25	.XX	±2°	晨翔电子有限公司 CONNFLY CONNFLY ELECTRONIC CO. LTD				
DRAWING TYPE		CUSTOMER						
SCALE		1:1	SHEET 1 OF 1					
DRAWING NO.		C-DS1128-05-XXXXX-X-A						