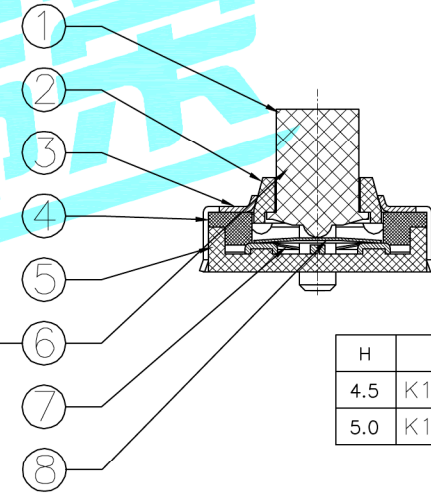
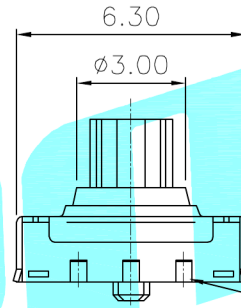
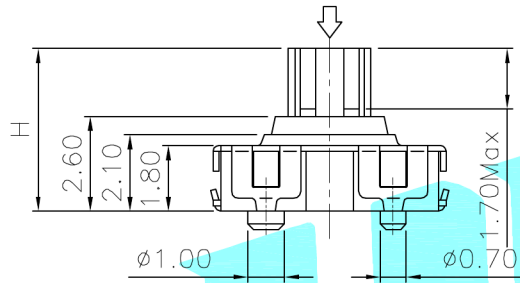
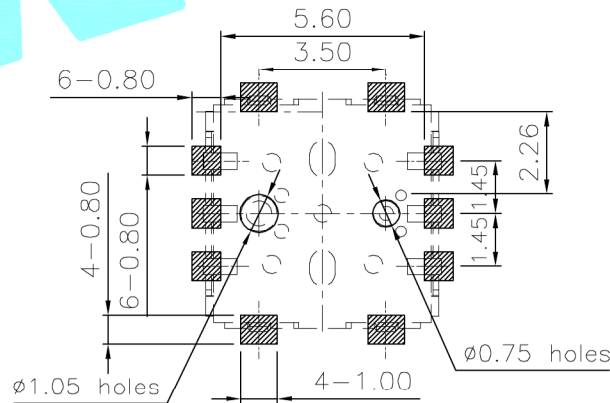
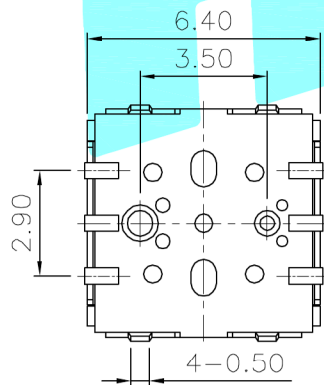


NOTE:
 Operating Force:
 lever portion 160 ± 35 gf
 Push portion 250 ± 35 gf



H	PART NO.
4.5	K1-1202UA-01
5.0	K1-1202UA-02



PCB Layout(Pattern Side)

ITEM	PART NAME	TER'NO.	QTY.	MATERIAL	FINISHING	REMARK
⑧	Contact 2	—	1	F.Ag/SUS/φ3.5	Natural	—
⑦	Contact 1	—	4	F.Ag/SUS/φ2.4	Natural	—
⑥	Terminal	—	6	Brass(0.15t)	Plating silver	—
⑤	Base	—	1	LCP	Black	—
④	Gasket	—	1	LCP	Black	—
③	Cover	—	1	Brass(0.15t)	Plating silver	—
②	Axle sleeve	—	1	LCP	Ivory Tint	—
①	Keystoke	—	1	PA46	Black	—

APPROVALS		DATE		HRO 韓泰 ELECTRONICS CO.,LTD		
DRAWN	J.X.Zhang	2013/7/26		TITLE:	MULTIFUNCTIONAL SWITCHES	
CHECKED				PART NO.		
APPROVALS				UNIT: mm	SCALE: 1:1	PROJ:
TOLERANCES ARE		30~以上	±0.30	ANGLE	DRAWING NO.	SHEET 1 OF 1
		10~30	±0.20			
		5~10	±0.15			
		~ 5	±0.10			

ECN NO.	REV.	DATE.	DESCRIPTION.	CHANGE.	CHECK.	APPRO.
—	A	—	NEW	—	—	—