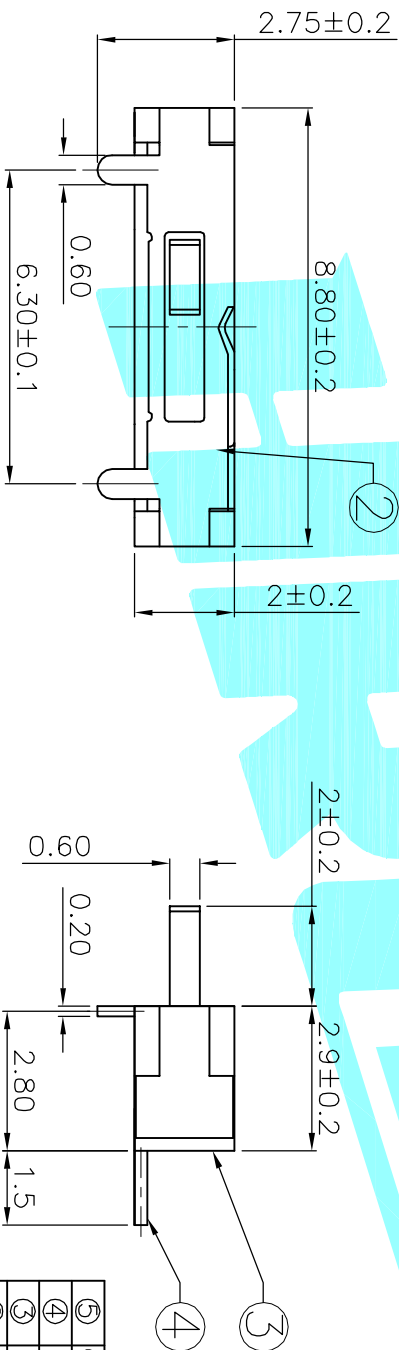


Circuit Diagram

PCB Layout (Pattern side)



NOTE:

Operating force: 120±50gf

ITEM	PART NAME	TER'NO.	QTY.	MATERIAL	FINISHING	REMARK
⑤	Contact Spring	—	1	Beryllium copper	Ag Plated	—
④	Terminal	—	3	Brass Strip	Ag Plated	—
③	Base	—	1	NYLON	Black	—
②	Cover	—	1	SUS	Natural	—
①	KNOB	—	1	NYLON	White	—

APPROVALS		DATE
DRAWN	J.X.Zhang	2013/9/25

HONG
ELECTRONICS CO.,LTD

ECN NO.	REV.	DATE.	DESCRIPTION.	CHANGE.	CHECK.	APPRO.
	A		NEW			

APPROVALS		TITLE:	PART NO.	SCALE:	PROJ:
CHECKED		TOGGLE SWITCHES	K3-1270S-F1	1:1	①
APPROVALS					
TOLERANCES ARE	30±0.15	±0.30	ANGLE		
	10~30	±0.20	UNIT: mm		
	5~10	±0.15	SCALE: 1:1		
	~5	±0.10	DRAWING NO.		
					SHEET 1 OF 1