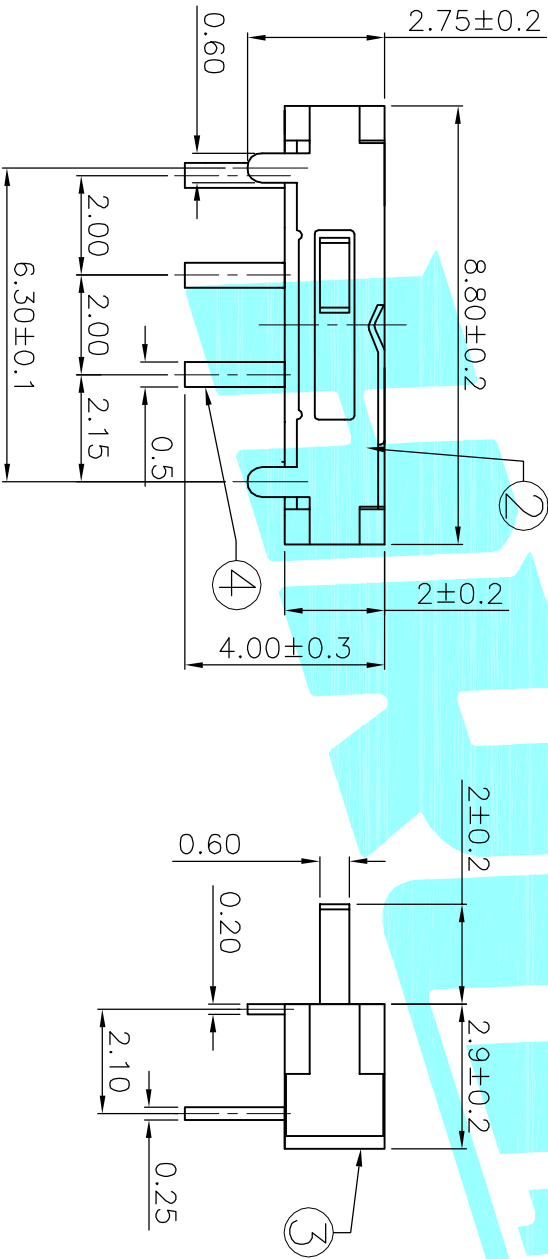


PCB Layout (Pattern side)

Circuit Diagram



NOTE:  
Operating force: 120±50gf

ITEM	PART NAME	TER'NO.	QTY.	MATERIAL	FINISHING	REMARK
⑤	Contact Spring	—	1	Beryllium copper	Ag Plated	—
④	Terminal	—	3	Brass Strip	Ag Plated	—
③	Base	—	1	NYLON	Black	—
②	Cover	—	1	SUS	Natural	—
①	KNOB	—	1	NYLON	White	—

APPROVALS		DATE	TITLE:	
DRAWN	J.X.Zhang	2013/9/25	TOGGLE SWITCHES	
CHECKED			ELECTRONICS CO.,LTD	
APPROVALS			HROE	
TOLERANCES ARE		30±0.15	±0.30	ANGLE
	10~30	±0.20		
	5~10	±0.15	±2'	
	~5	±0.10		

ECN NO.	REV.	DATE.	DESCRIPTION.	CHANGE.	CHECK.	APPRO.
	A		NEW			
PART NO. K3-1286D-F2						
SCALE: 1:1						
DRAWING NO.						
SHEET 1 OF 1						