



MCR106

SCR

**REVERSE BLOCKING TRIODE
THYRISTORS**

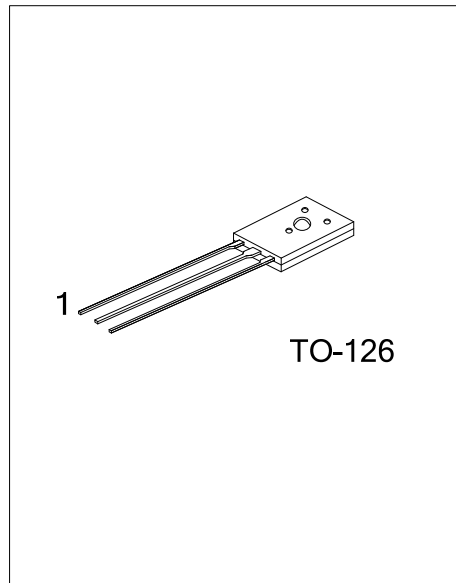
■ **DESCRIPTION**

PNPN devices designed for high volume consumer applications such as temperature, light and speed control; process and remote control, and warning systems where reliability of operation is important.

■ **FEATURES**

- * Glass-passivated surface for reliability and uniformity
- * Power rated at economical prices
- * Practical level triggering and holding characteristics
- * Flat, rugged, thermopad construction for low thermal resistance, high heat dissipation and durability

■ **ORDERING INFORMATION**



Ordering Number		Package	Pin Assignment			Packing
Lead Free	Halogen Free		1	2	3	
MCR106L-6-T60-K	MCR106G-6-T60-K	TO-126	K	A	G	Bulk
MCR106L-8-T60-K	MCR106G-8-T60-K	TO-126	K	A	G	Bulk

Note: Pin assignment: G: Gate K: Cathode A: Anode

<p>MCR106L-6-T60-K</p>	<p>(1) K: Bulk (2) T60: TO-126 (3) L: Lead Free, G: Halogen Free and Lead Free</p>
------------------------	--

■ **MARKING**

MCR106-6	MCR106-8
<p>→ Data Code → L: Lead Free → G: Halogen Free</p>	<p>→ Data Code → L: Lead Free → G: Halogen Free</p>

■ ABSOLUTE MAXIMUM RATINGS ($T_J=25^\circ\text{C}$, unless otherwise specified)

PARAMETER	SYMBOL	RATINGS	UNIT
Peak Repetitive Forward and Reverse Blocking Voltage (Note 1) ($T_J=110^\circ\text{C}$, $R_{GK}=1\text{k}\Omega$)	MCR106-6	400	V
	MCR106-8	600	V
RMS Forward Current (All conduction Angles)	$I_{T(RMS)}$	4	A
Average Forward Current ($T_C=93^\circ\text{C}$ or $T_A=30^\circ\text{C}$)	$I_{T(AV)}$	2.55	A
Peak Non-repetitive Surge Current (1/2 Cycle, 60Hz, $T_J=-40 \sim +110^\circ\text{C}$)	I_{TSM}	25	A
Circuit Fusing Considerations ($t=8.3 \text{ ms}$)	I^2t	2.6	A^2S
Peak Gate Power	P_{GM}	0.5	W
Average Gate Power	$P_{G(AV)}$	0.1	W
Peak Forward Gate Current	I_{GM}	0.2	A
Peak Reversed Gate Voltage	V_{RGM}	6	V
Mounting Torque (Note 2)		6	In. lb.
Junction Temperature	T_J	+110	$^\circ\text{C}$
Storage Temperature	T_{STG}	-40 ~ +150	$^\circ\text{C}$

Notes: 1. V_{DRM} and V_{RRM} for all types can be applied on a continuous basis. Ratings apply for zero or negative gate voltage; however, positive gate voltage shall not be applied concurrent with negative potential on the anode. Blocking voltages shall not be tested with a constant current source such that the voltage of the devices are exceeded.

2. Torque rating applies with use of compression washer (B52200-F006 or equivalent). Mounting torque in excess of 6 in. lb. does not appreciably lower case-to-sink thermal resistance. Anode lead and heatsink contact pad are common. For soldering purposes (either terminal connection or device mounting), soldering temperatures shall not exceed $+200^\circ\text{C}$. For optimum results, an activated flux (oxide removing) is recommended.

3. Absolute maximum ratings are those values beyond which the device could be permanently damaged. Absolute maximum ratings are stress ratings only and functional device operation is not implied.

■ THERMAL DATA

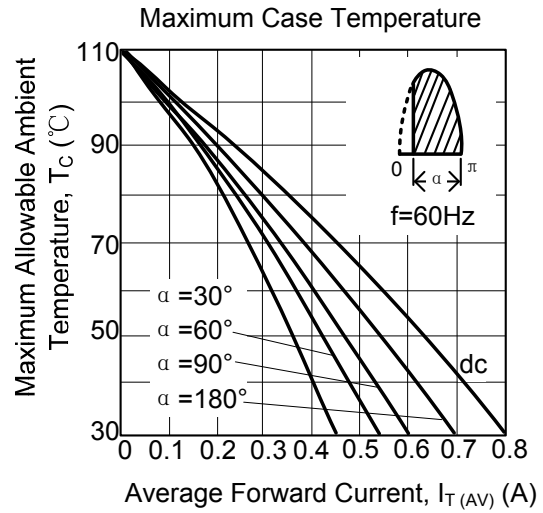
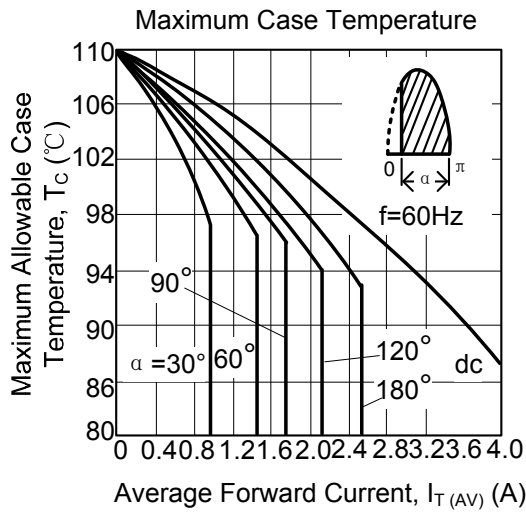
PARAMETER	SYMBOL	RATINGS	UNIT
Junction to Ambient	θ_{JA}	75	$^\circ\text{C}/\text{W}$
Junction to Case	θ_{JC}	3	$^\circ\text{C}/\text{W}$

■ ELECTRICAL CHARACTERISTICS ($T_C=25^\circ\text{C}$ and $R_{GK}=1000\Omega$, unless otherwise specified)

PARAMETER	SYMBOL	TEST CONDITIONS	MIN	TYP	MAX	UNIT
Peak Forward or Reverse Blocking Current ($V_{AK}=\text{Rated } V_{DRM} \text{ or } V_{RRM}$)	I_{DRM}, I_{RRM}	$T_J=25^\circ\text{C}$			10	μA
		$T_J=100^\circ\text{C}$			200	μA
Forward "On" Voltage ($I_{TM}=4\text{A peak}$)	V_{TM}				2	V
Gate Trigger Current (continuous DC) (Note)	I_{GT}	$V_{AK}=7\text{V}, R_L=100\Omega$			200	μA
		$V_{AK}=7\text{V}, R_L=100\Omega, T_C=-40^\circ\text{C}$			500	
Gate Trigger Voltage (continuous DC)	V_{GT}	$V_{AK}=7\text{V}, R_L=100\Omega, T_C=25^\circ\text{C}$			1	V
Gate Non-Trigger Voltage	V_{GD}	$V_{AK}=\text{Rated } V_{DRM}, R_L=100\Omega, T_J=110^\circ\text{C}$	0.2			V
Holding Current	I_H	$V_{AK}=7\text{V}, T_C=25^\circ\text{C}$			5	mA
Forward Voltage Application Rate	dv/dt	$T_J=110^\circ\text{C}$		10		$\text{V}/\mu\text{s}$

Note: R_{GK} current is not included in measurement.

■ TYPICAL CHARACTERISTICS



UTC assumes no responsibility for equipment failures that result from using products at values that exceed, even momentarily, rated values (such as maximum ratings, operating condition ranges, or other parameters) listed in products specifications of any and all UTC products described or contained herein. UTC products are not designed for use in life support appliances, devices or systems where malfunction of these products can be reasonably expected to result in personal injury. Reproduction in whole or in part is prohibited without the prior written consent of the copyright owner. The information presented in this document does not form part of any quotation or contract, is believed to be accurate and reliable and may be changed without notice.