



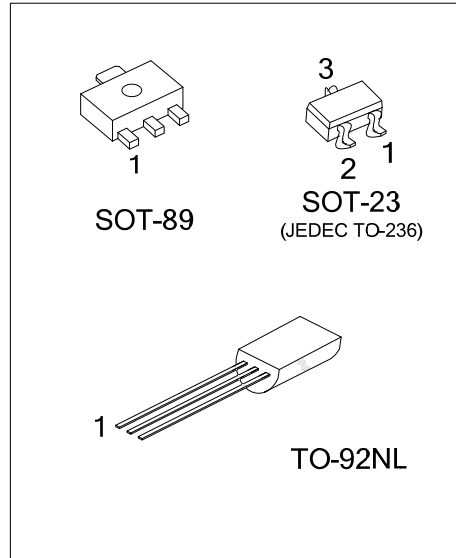
2SC2655

NPN SILICON TRANSISTOR

POWER AMPLIFIER
 APPLICATIONS POWER
 SWITCHING APPLICATIONS

■ FEATURES

- * Low saturation voltage: $V_{CE(SAT)} = 0.5V$ (Max.)
- * High speed switching time: $T_{STG} = 1.0\mu s$ (Typ.)



■ ORDERING INFORMATION

Ordering Number		Package	Pin Assignment			Packing
Lead Free	Halogen Free		1	2	3	
-	2SC2655Gx-AB3-R	SOT-89	B	C	E	Tape Reel
-	2SC2655Gx-AE3-R	SOT-23	E	B	C	Tape Reel
2SC2655L-x-T9N-B	2SC2655Gx-T9N-B	TO-92NL	E	C	B	Tape Box
2SC2655L-x-T9N-K	2SC2655Gx-T9N-K	TO-92NL	E	C	B	Bulk

Note: Pin Assignment: B: Base C: Collector E: Emitter

<p>2C2655G-x-AB3-R</p> <p>(1)Packing Type (2)Package Type (3)Rank (4)Green Package</p>	<p>(1) B: Tape Box, K: Bulk, R: Tape Reel (2) AB3: SOT-89, AE3: SOT-23, T9N: TO-92NL (3) refer to Classification of h_{FE1} (4) G: Halogen Free and Lead Free, L: Lead Free</p>
---	---

■ MARKING

SOT-23	SOT-89	TO-92NL

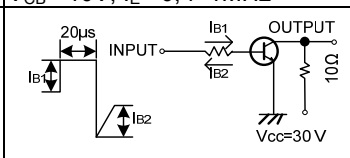
■ ABSOLUTE MAXIMUM RATINGS ($T_A=25^{\circ}\text{C}$, unless otherwise specified)

PARAMETER		SYMBOL	RATING	UNIT
Collector-Base Voltage		V_{CBO}	50	V
Collector-Emitter Voltage		V_{CEO}	50	V
Emitter-Base Voltage		V_{EBO}	5	V
Collector Current		I_C	2	A
Collector Current (Pulse) (Note 1)		I_{CP}	3	A
Base Current		I_B	0.5	A
Collector Power Dissipation	SOT-23	P_C	350	mW
	SOT-89		500	
	TO-92NL		900	
Junction Temperature		T_J	150	$^{\circ}\text{C}$
Storage Temperature		T_{STG}	-55 ~ +150	$^{\circ}\text{C}$

Notes: 1. $P_W \leq 16\text{ms}$, Duty Cycle $\leq 50\%$.

2. Absolute maximum ratings are those values beyond which the device could be permanently damaged. Absolute maximum ratings are stress ratings only and functional device operation is not implied.

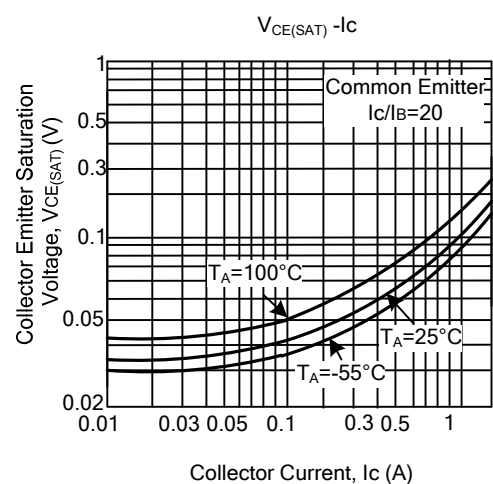
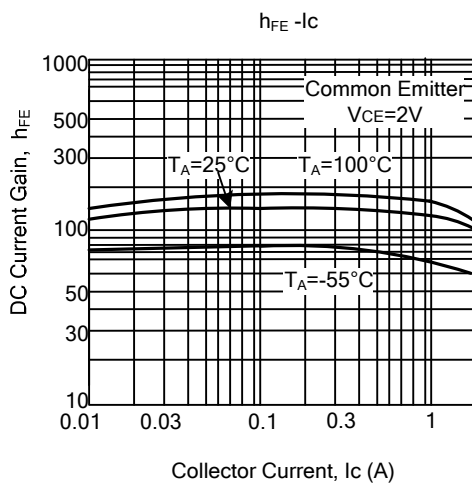
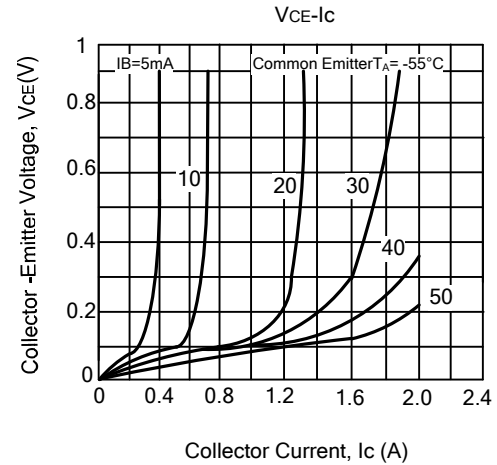
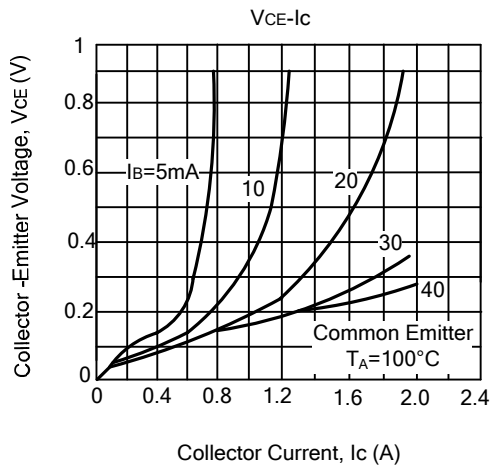
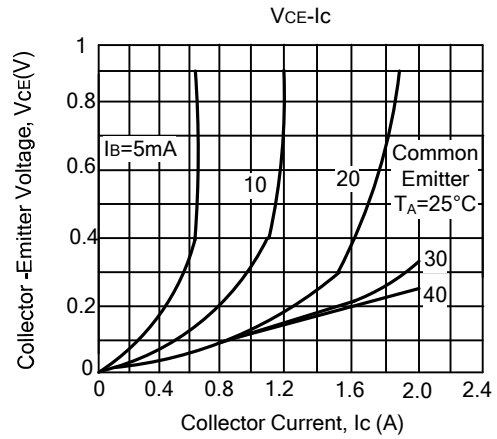
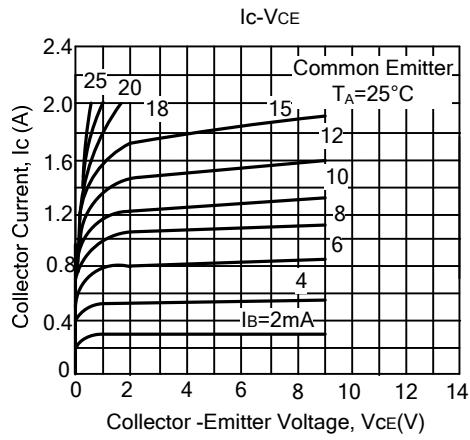
■ ELECTRICAL CHARACTERISTICS ($T_A=25^{\circ}\text{C}$, unless otherwise specified)

PARAMETER	SYMBOL	TEST CONDITIONS	MIN	TYP	MAX	UNIT
Collector Emitter Breakdown Voltage	BV_{CEO}	$I_C=10\text{mA}$, $I_B=0$	50			V
Collector Cut-off Current	I_{CBO}	$V_{CB}=50\text{V}$, $I_E=0$			1.0	μA
Emitter Cut-off Current	I_{EBO}	$V_{EB}=5\text{V}$, $I_C=0$			1.0	μA
DC Current Gain	h_{FE1}	$V_{CE}=2\text{V}$, $I_C=0.5\text{A}$	70		240	
	h_{FE2}	$V_{CE}=2\text{V}$, $I_C=1.5\text{A}$	40			
Collector-Emitter Saturation Voltage	$V_{CE(SAT)}$	$I_C=1\text{A}$, $I_B=0.05\text{A}$			0.5	V
Base- Emitter Saturation Voltage	$V_{BE(SAT)}$	$I_C=1\text{A}$, $I_B=0.05\text{A}$			1.2	V
Transition Frequency	f_T	$V_{CE}=2\text{V}$, $I_C=0.5\text{A}$		100		MHz
Collector Output Capacitance	C_{OB}	$V_{CB}=10\text{V}$, $I_E=0$, $f=1\text{MHz}$		30		pF
Switching Time(Turn-on Time)	t_{ON}	 <p>$I_{B1} = -I_{B2} = 0.05\text{A}$ DUTY CYCLE $\leq 1\%$</p>		0.1		μs

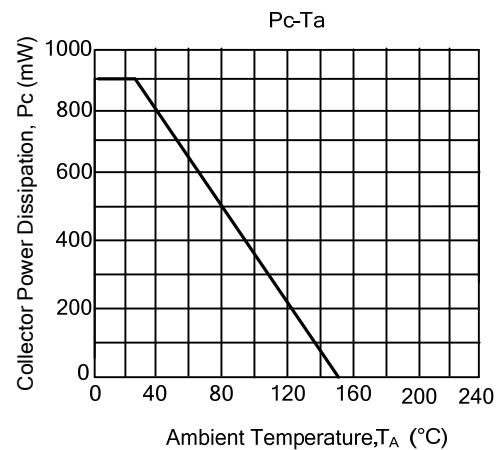
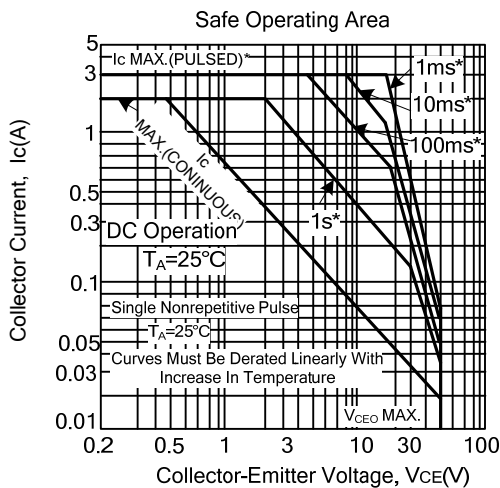
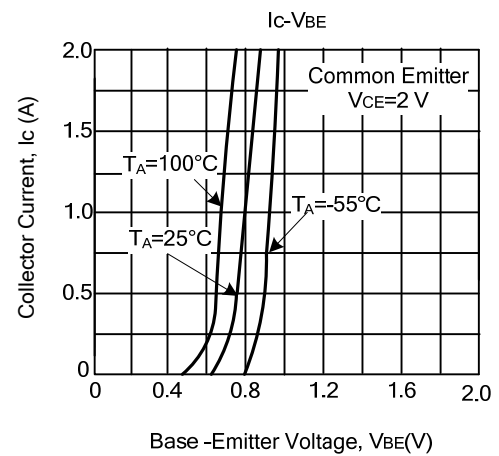
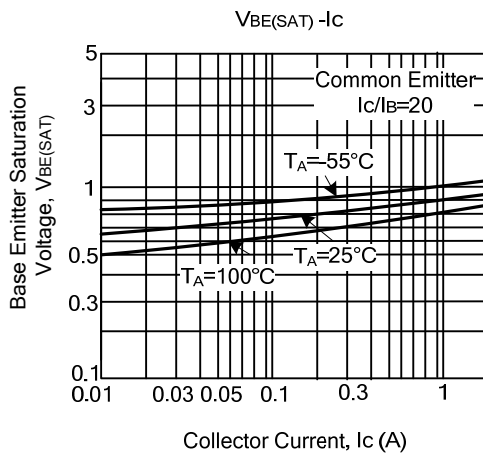
■ CLASSIFICATION OF h_{FE1}

RANK	O	Y
RANGE	70-140	120-240

TYPICAL CHARACTERISTICS



TYPICAL CHARACTERISTICS(Cont.)



UTC assumes no responsibility for equipment failures that result from using products at values that exceed, even momentarily, rated values (such as maximum ratings, operating condition ranges, or other parameters) listed in products specifications of any and all UTC products described or contained herein. UTC products are not designed for use in life support appliances, devices or systems where malfunction of these products can be reasonably expected to result in personal injury. Reproduction in whole or in part is prohibited without the prior written consent of the copyright owner. The information presented in this document does not form part of any quotation or contract, is believed to be accurate and reliable and may be changed without notice.